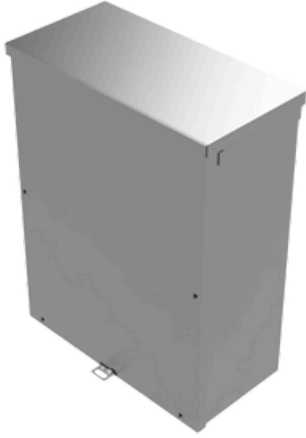


Project		Catalog #		Type	
Prepared by		Notes		Date	



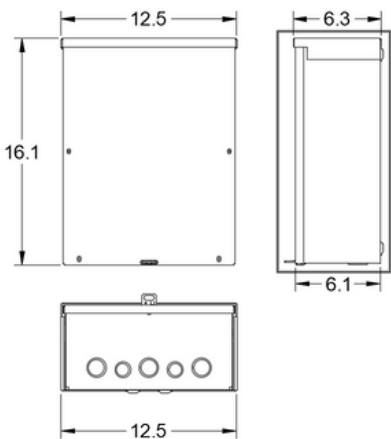
LCP Lighting Relay Panel

Product Features

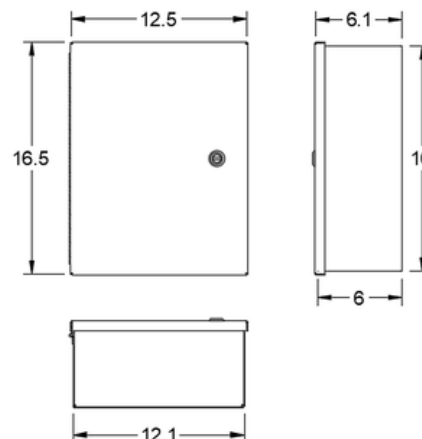
- Plug & play, pre assembled lighting relay panel
- Programmable digital 24 hour 7-day timeclock with backup
- Electrically held 120V 30A rated relay poles, configurable to 12 poles maximum
- Steel lockable outdoor NEMA 3R or indoor NEMA 1 enclosure
- Enclosure dimensions 16H x 12W x 6D inches and includes mounting flanges with through holes
- Screw terminal connections accept 14-8 AWG solid or stranded 75C copper wire
- Included exterior photocell accessory can be connected in OR/AND logic arrangement with timeclock
- UL listed
- HOA switches, 2 hour override, custom, and many more options available. Consult factory for details.

Dimensional Details

NEMA 3R



NEMA 1



Order Information

Type	# Poles	Coil Voltage	NEMA	Switch Options	Timeclock	Photocell
LCP	03 = 3 POLES 06 = 6 POLES 09 = 9 POLES 12 = 12 POLES	[BLANK] = 120VAC 277 = 277VAC 24 = 24VAC	NEMA3R = OUTDOOR NEMA1 = INDOOR	[BLANK] = NONE HOA = HOA SWITCH 2HR = 2 HOUR OVERRIDE SWITCH	[BLANK] = NONE PT724A = ALTRONIX PT724A TIMECLOCK	[BLANK] = NONE PHCL = PHOTOCEL INCLUDED

Notes
 Example: LCP-06-NEMA3R-HOA-TMCLK-PHCL = Outdoor 6 pole lighting relay panel with HOA switch, timeclock, and photocell

Product Specifications

- Enclosure
 - NEMA 3R or NEMA 1
 - UL listed UL-50 Type 3R complies with NEMA Type 3R and IEC 60529 IP24
 - 16 x 12 x 6 inches (HxWxD)
 - Surface or channel mountable
 - Galvanized steel, powder coated finish, ANSI 61 gray
 - Hinged screw cover with padlock hasp and staple
- Relay
 - Electrically held
 - All lighting load types
 - Rated to 30A at 600VAC for general use
 - Up to 12 power poles in panel
 - Wire size
 - Power poles: 14-8 AWG
 - Coil: 18-14 AWG
 - 120VAC 28VA coil
 - UL listed
- Timeclock
 - Commercial grade multipurpose 7 day time switch (standard)
 - Field programmable
 - Capacitor back-up
 - UL listed
 - ALTRONIX PT724A
- Photocell
 - Mechanical bimetal switch with Cadmium Sulfide photocell
 - Delay feature prevents unwanted OFF switching
 - High strength, UV resistant plastic housing
 - Swivel with 1/2"-14 NPSM threaded stem
 - Washer gasket and locking nut included
 - #18 AWG, 6" wire leads
 - UL listed



Outdoor panel with timeclock option (front panel removed)



Altronix Timeclock

Wiring Diagrams

- Wiring diagram illustrates order code CTRL-ECO-12-NEMA1-HOA-TMCLK-PHCL which utilizes the full combination of a photo cell, time switch, HOA override switch, and lighting contactors.
- If HOA switch is not included, connect normally open output (5) of time switch directly to lighting contactor coil (A1).
- If photo cell is not included, connect time switch common input (3) directly to line supply (1).
- If time switch and HOA Switch are not included, connect photo cell output (Red) directly to lighting contactor coil (A1).

Photo Cell, Time Switch, HOA Switch

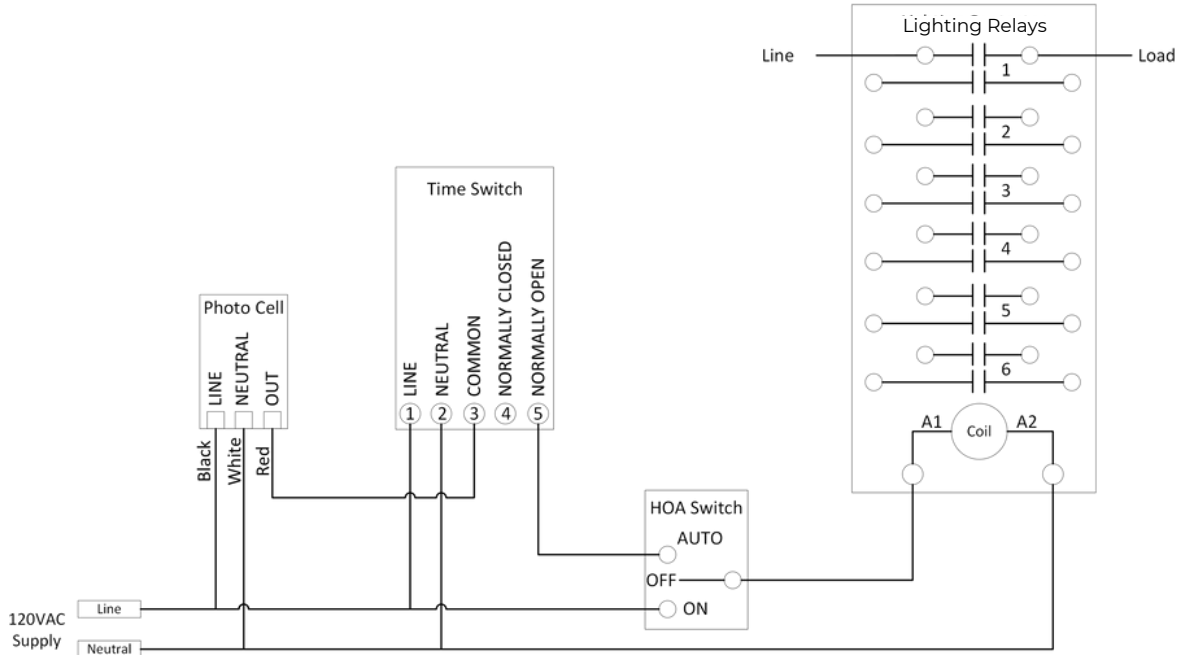
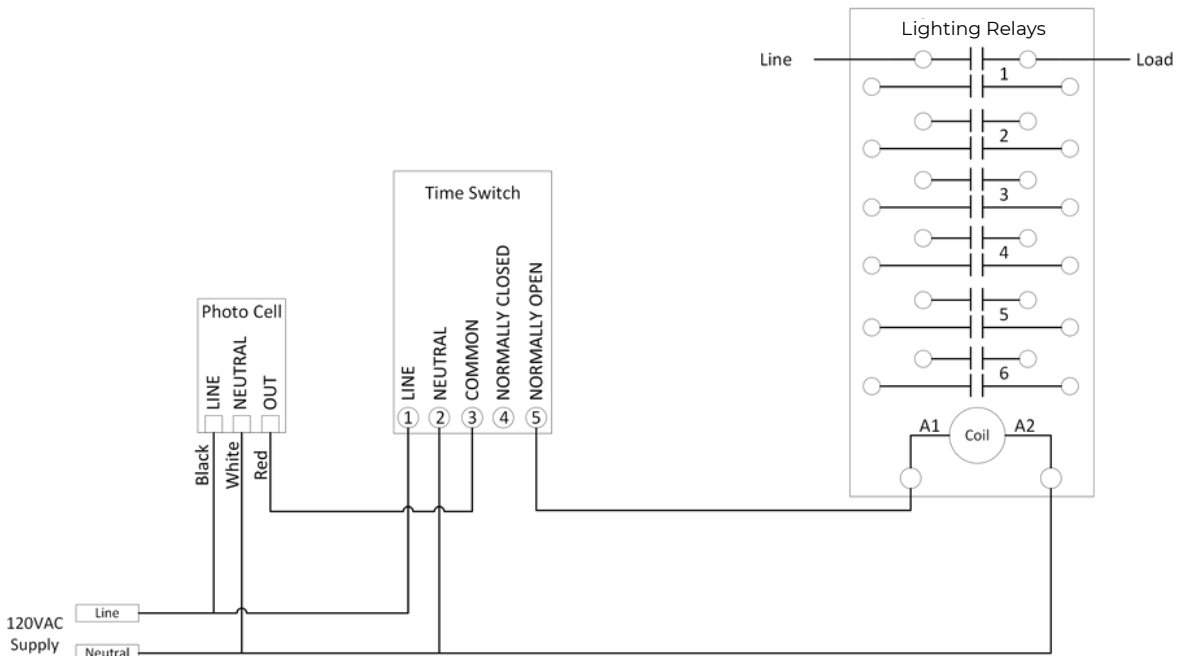


Photo Cell, Time Switch



Wiring Diagrams

Time Switch

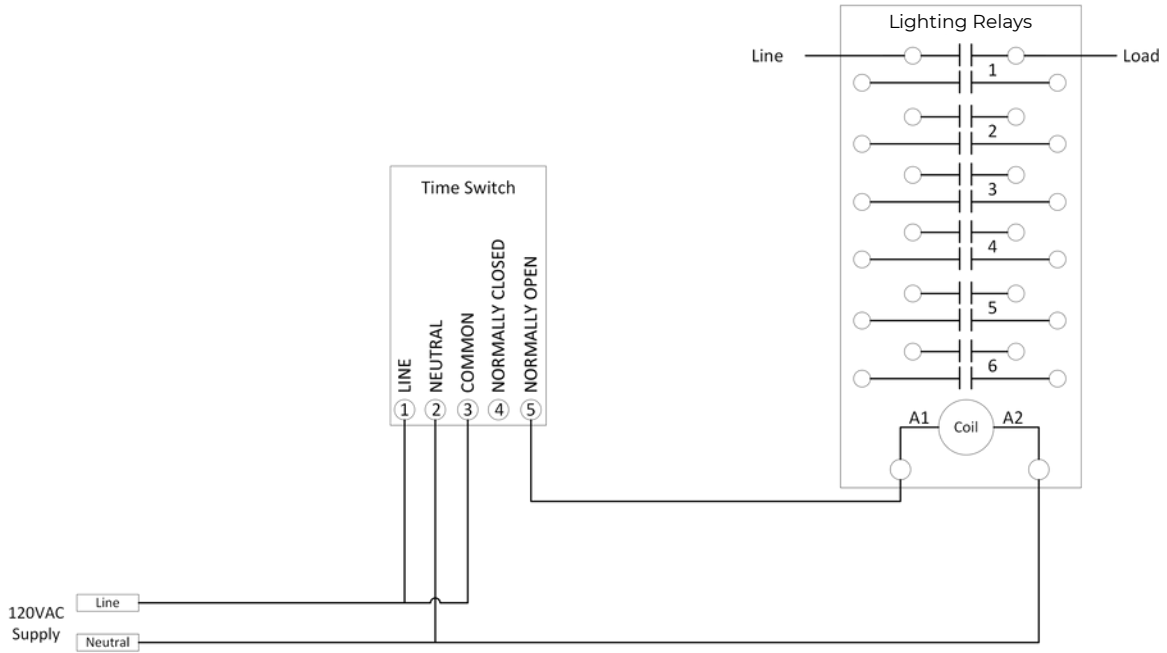
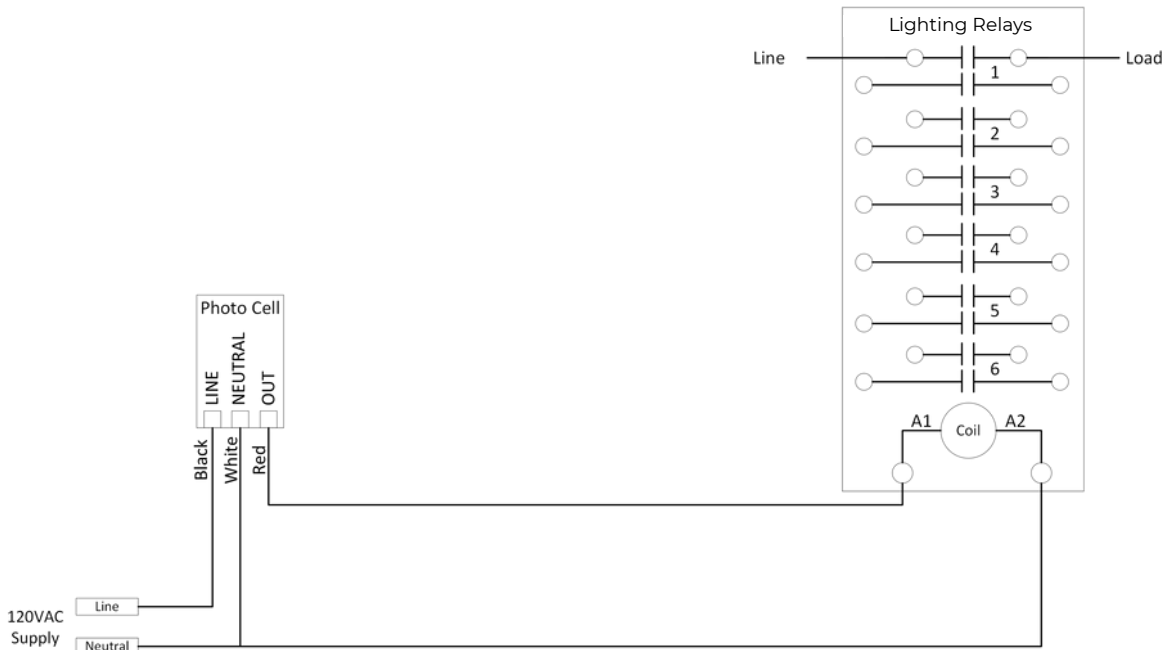


Photo Cell



Timeclock Programming

Overview:

The Altronix PT724A is a 365-day / 24-hour programmable event timer with one Form C relay output. It can control lighting or other loads with up to 50 weekly events, 10 holidays, and optional daylight-savings adjustment. Display uses 24-hour format.

1. Setting Time & Date

1. Press SET, then ENTER until the clock screen appears.
2. Use UP/DOWN to set the year, month, day, and time (24 hr).
3. Press ENTER after each entry.
4. To select daylight-saving (DS) or standard time (ST) mode, press SET until DS/ST appears, then UP/DOWN to choose and ENTER to confirm.

2. Creating ON / OFF Events

1. Press SET until the event menu appears, then ENTER.
2. Use UP/DOWN to choose ON, OFF, or PL (Pulse) mode; press ENTER. Pulse mode: set duration (1–15 seconds) using UP/DOWN, ENTER to save.
3. Select day(s) and time with UP/DOWN, press ENTER.
4. To repeat on consecutive days (block programming), select first day then last day (MO–FR, SA–SU, etc.).
5. Continue adding events by selecting the next event number.

3. Holiday Programming

1. Holiday Events:
 - a. Press SET until “SET HOL” appears → ENTER.
 - b. Choose event type (HL) and set the desired time; ENTER to confirm.
2. Holiday Dates:
 - a. Press SET until “SET DATE” appears → ENTER, then enter month & day.
 - b. Holiday events override regular schedules.

4. Edit or Delete Events

- To edit: Press SET, ENTER, scroll to the event, adjust values with UP/DOWN, then ENTER.
- To delete: Scroll to event, select DIS, ENTER to confirm.
- To clear all events: Press SET until “CLEAR MEMORY” appears, then press UP to confirm.

5. Manual Override / First Man In

- Override: Press ENTER to toggle relay ON/OFF until next scheduled event.
- First Man In: If terminal FM is tied to (-), the relay will hold its current state until the circuit opens.

6. Reset

Insert a small blunt object into the Reset button to clear all programming.